

## Specification of: TEM 01-0160-4W-05

### High performance Centrifugal fan Nicotra Gebhardt silentvent with external HIGH EFFICIENCY motor in efficiency class IE 2 (IEC 60034-30)

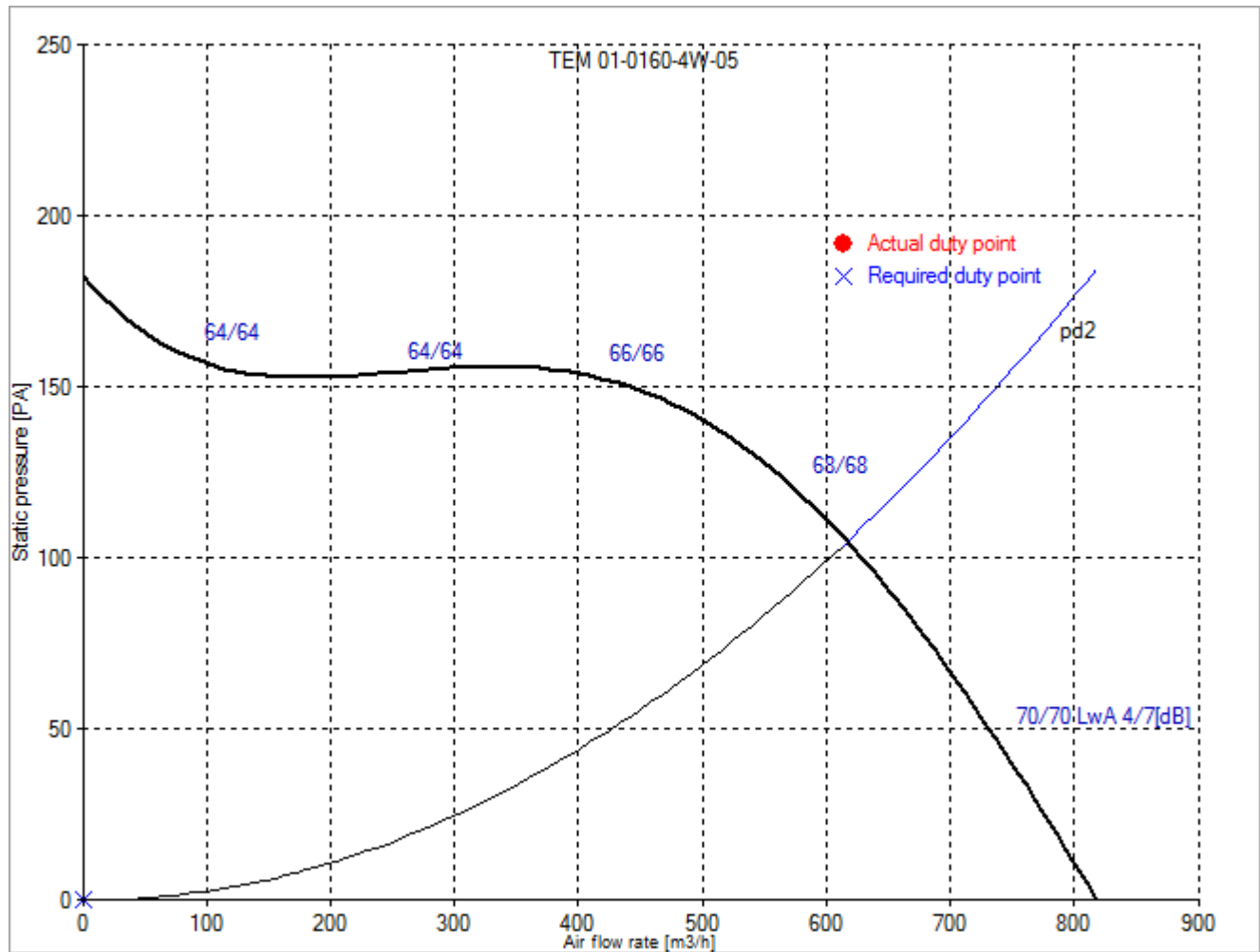
Single inlet with direct drive. Lap-jointed scroll housing made from galvanized steel sheet, without pedestal for vertical or horizontal mounting. Galvanized impeller with forward curved blades Motor B5, mounted outside the airstream. Impeller and shaft statically and dynamically balanced in accordance with DIN ISO 21940-11, completely maintenance free. The motor is equipped with PTC Thermistors as a standard. Three phase 400 V, 50 Hz, single speed.

### Technical data of the fan: TEM 01-0160-4W-05

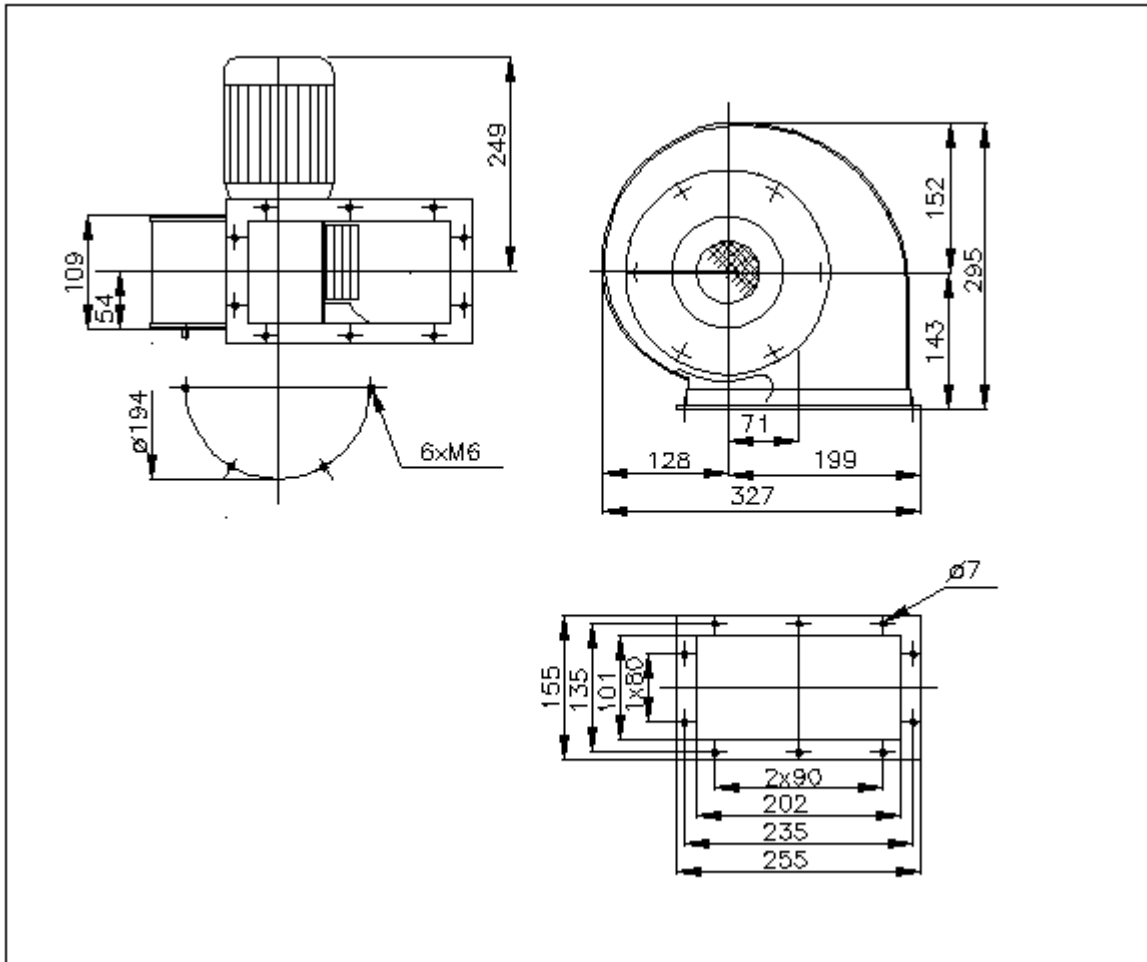
EU regulation 327/2011 not applicable

Description	Value	Dimension
<b>Specified duty point</b>		
<b>Actual duty point</b>		
Installation acc. DIN 24163 Part 1		A
Reference density (Rho1)	1.20	kg/m <sup>3</sup>
Medium temperature (t)	20	C
Fan weight	8	kg
<b>Rated data</b>		
Phases-Voltage-Frequency	3~230/400-50	V-Hz
Frame size-poles:	63 M / IE2-4	
Motor rating (P <sub>N</sub> )	0.18	kW
Rated motor speed (n <sub>N</sub> )	1385	min <sup>-1</sup>
Rated motor current (I <sub>N</sub> )	1,08/0,62	A
<b>operational limits</b>		
Temperature range of conveying medium (t <sub>min</sub> ...t <sub>max</sub> )	-20...60	C

## Fan curve to TEM 01-0160-4W-05



## Dimensions to TEM 01-0160-4W-05



Rotation:  
Handing:

RD  
90